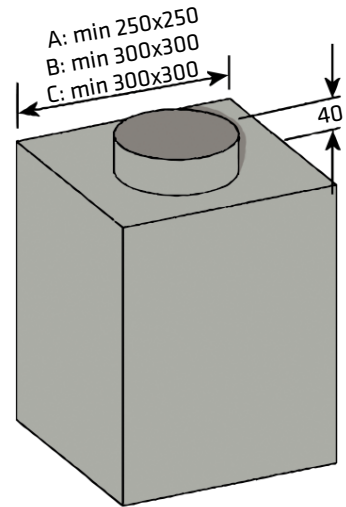
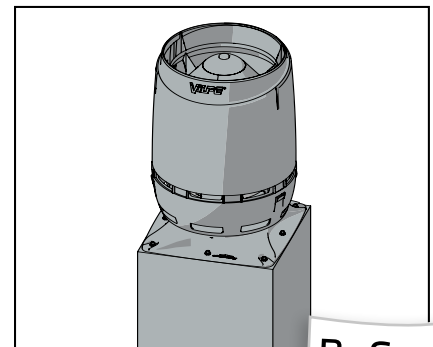
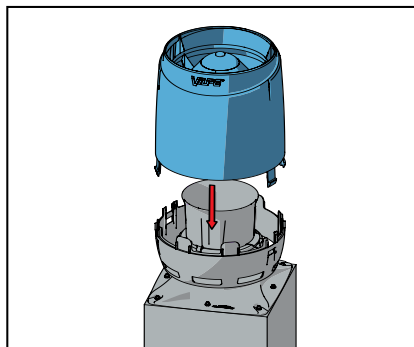
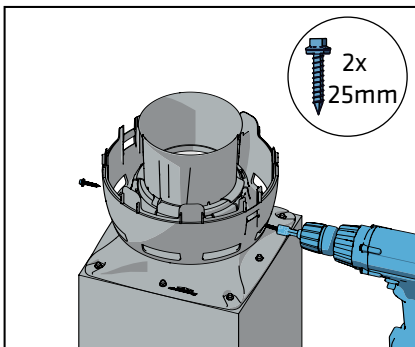
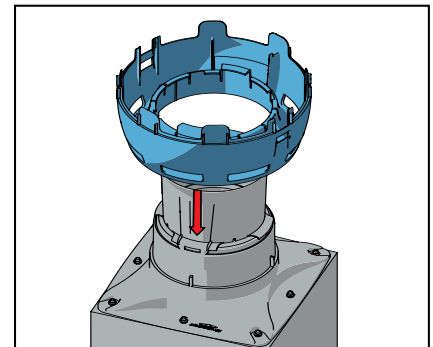
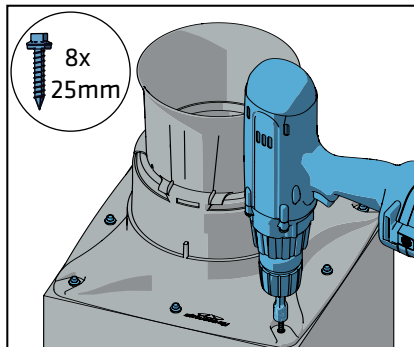
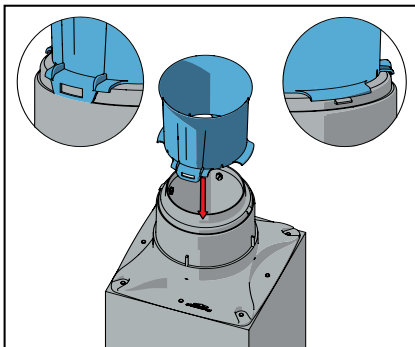
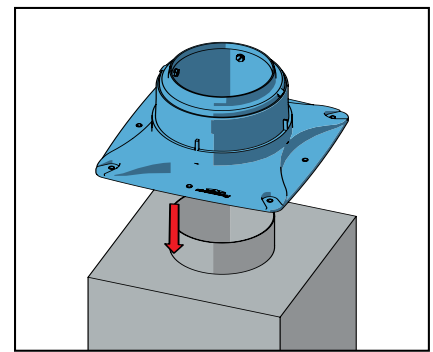
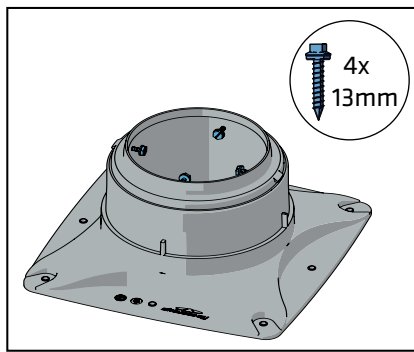
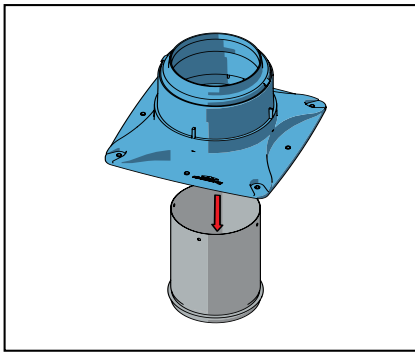


## FLOW & Installation set

- A: 125S FLOW
- B: 160S FLOW
- C: ECo110S FLOW,  
ECo125S FLOW,  
ECo160S FLOW



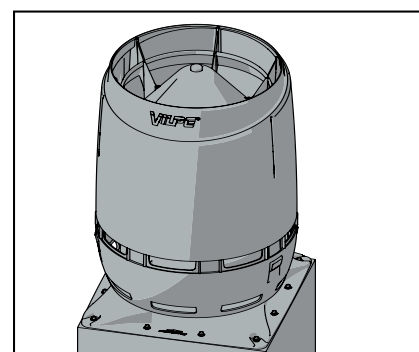
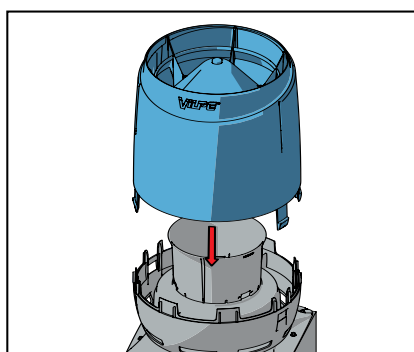
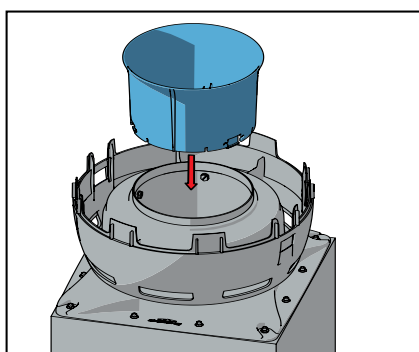
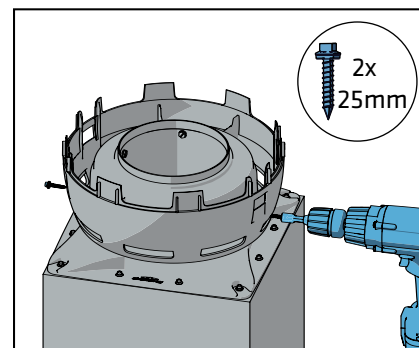
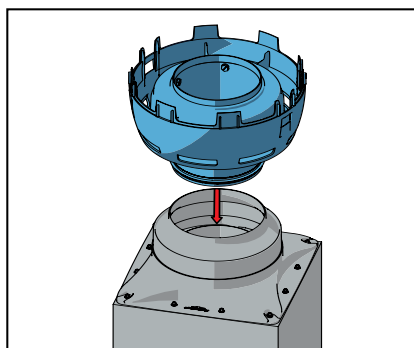
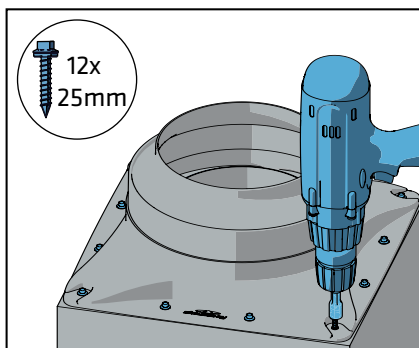
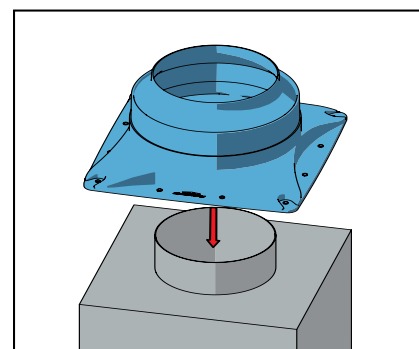
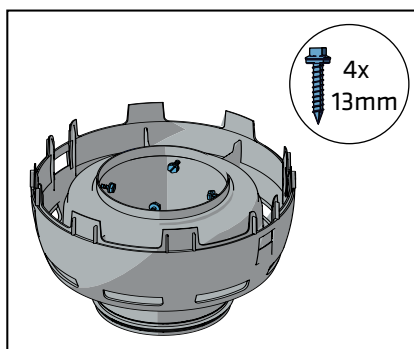
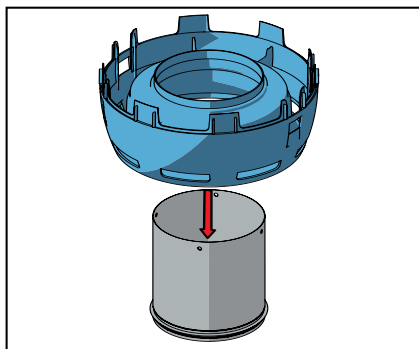
A:



B, C:

## FLOW & Installation set

B:



C:

